

Current Transformer

DM-20 Series

DM-20 series current transformer is compact .smaller than other models with the current ratio of the transformer is small, clamshell-style terminal cover is well protected by the second terminal. With related accessories you can use Din rail mounting, a current from 15A to 300A

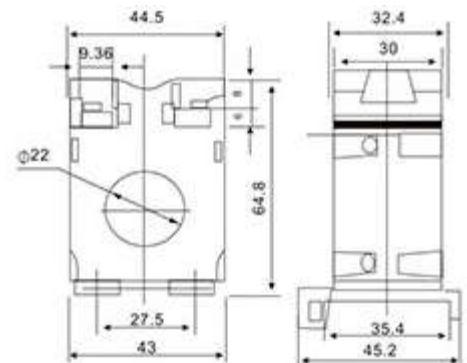
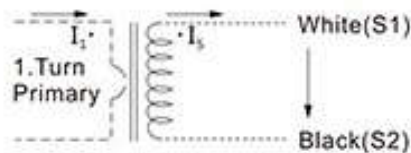
● Application

- Current measurement, monitoring and protection for electrical wiring and equipment.
- Current and power measurement for electric motors, lighting, air compressor, heating and ventilation system, air - condition equipment and automation EC control system.
- Current, power and energy monitoring device.
- Relay protection device.
- Generator

● Features

- Two built in Fixing method: Din Rail/Bushar
- Built in hinged terminal cover
- Safe, easy to install, portable

● Circuit Connection Diagram



● Technique Index

Electrical Parameter	
Frequency	50/60Hz
Rated Input	5A-300A
Measuring range	1%In-130%In
Rated Output	1A or 5A
Ratio Accurately	$\leq \pm 1.0\%$
Rated Voltage	0.72KV
Dielectric strength	3.0KV/1mA/1min
Continuous overload,(Id)	1.2In

Mechanical Parameter	
Case	PC+ABS/UL94-V0
Bobbin	PBT
Core	Silicon steel
Construction	Din-rail
Operating Temp	$-25^{\circ}\text{C} \sim +75^{\circ}\text{C}$
Operating Humidity	$\leq 96\%$
Output Connection	Terminal
Safety factor	FS 5

● Type Selection(Output: mA/V)

Ratio (A)	Burden(VA)/class	
	N	Class:1.0
15/5	5T	1.5
20/5	5T	2.5
30/5	4T	2.5
50/5	2T	2.5
75/5	1T	1.5
100/5	1T	2.5
250/5	1T	2.5
300/5	1T	2.5

Ratio (A)	Burden(VA)/class	
	N	Class:1.0
15/1	5T	1.5
20/1	5T	2.5
30/1	4T	2.5
50/1	2T	2.5
75/1	1T	1.5
100/1	1T	2.5
250/1	1T	2.5
300/1	1T	2.5